



BREVIS 3-Blade HVLS FAN

PRODUCT SPECIFICATIONS

HIGH VOLUME LOW SPEED FAN



Design Highlights

- Clear anodized blades
- Optimized 3-blade profile for low speed rotary airfoil application and near ground effect
- NACA airfoil profile reduces drag while producing more airflow
- Fan safety system incorporates steel hub, aircraft-grade safety cable and guy wires
- NEMA 4X variable frequency drive
- Disconnect included
- Forward/reverse, start and stop from the VFD display

Motor Size

- 1.0 HP (all blade size)

Fan Diameter

- 12 FT (3.7 M)
- 16 FT (4.9 M)
- 20 FT (6.1 M)

Fan Voltage

- 110 V single phase
- 208-240 V single phase
- 208-240 V 3 phase
- 380-480 V 3 phase
- 575 V 3 phase

Available Options

- Mounting extension _____ FT / M
- Extra wide beam plate _____ IN / MM
- Laminated wood beam brackets
- Truss span mounting kit (consult factory)
- Z-Purlin mounting kit (consult factory)



Project Information

Job Name _____

Address _____

General Contractor _____

Distributor _____

Model _____ Quantity _____

Certified For Construction

By _____

Company _____

Address _____

Date _____





BREVIS 3-Blade HVLS FAN

PRODUCT SPECIFICATIONS

HIGH VOLUME LOW SPEED FAN

Construction	
Frame	Black Powder Coat / Welded Steel Fabrication
Hub Assembly	6061-T6 Aluminum
Blade Struts (Invertible)	Clear Zinc / High Tensile Steel
Blades	Anodized / 6063-T6 Aluminum

Safety Components	
Steel Hub Plate	
Safety Cable	Galvanized 1/4" x 7 x 19 Steel Aircraft Grade Cable
Guy Wires	Galvanized 1/8" x 7 x 19 Steel Aircraft Grade Cable
Rotor Retaining Ring	Zinc Plated / 3/16 A569 Steel

Mounting Hardware	
Standard Mount	Universal I-Beam Clamp w/ Swivel Joint & 7" Drop
Laminated Wood Beam Clamp (Optional)	Brackets
Extra Wide / Thick I-Beam Mount (Optional)	Consult Factory
Additional Drop Extensions (Optional)	Up to 10 FT in 1 FT Increments

Source Voltage	
Standard Power	110V 1Ø or 208-230V 1Ø or 3Ø, 380-480V, 575V 3Ø

Gearbox and Motor	
Enclosure / Insulation Class / Efficiency Class	IP55 / F / IE3
Type	2-Stage Helical
Service Interval	Lubed For Life

VFD Assembly	
Enclosure	NEMA 4X
LENZE Wash Down Druty Inverter	All in One VFD Control
50 Hz Operation (Optional)	60 Hz Operation
Disconnect	Panel Mount, UL/CE
UL Certified / cUL / EAC / C-Tick	-10 to 55C @ 6kHz / 14

Warranty
Lifetime Warranty on Blades, Hub & Frame
3-Year Limited (Mechanical & Electrical)
1-Year Labor

For full warranty details review Installation Manual

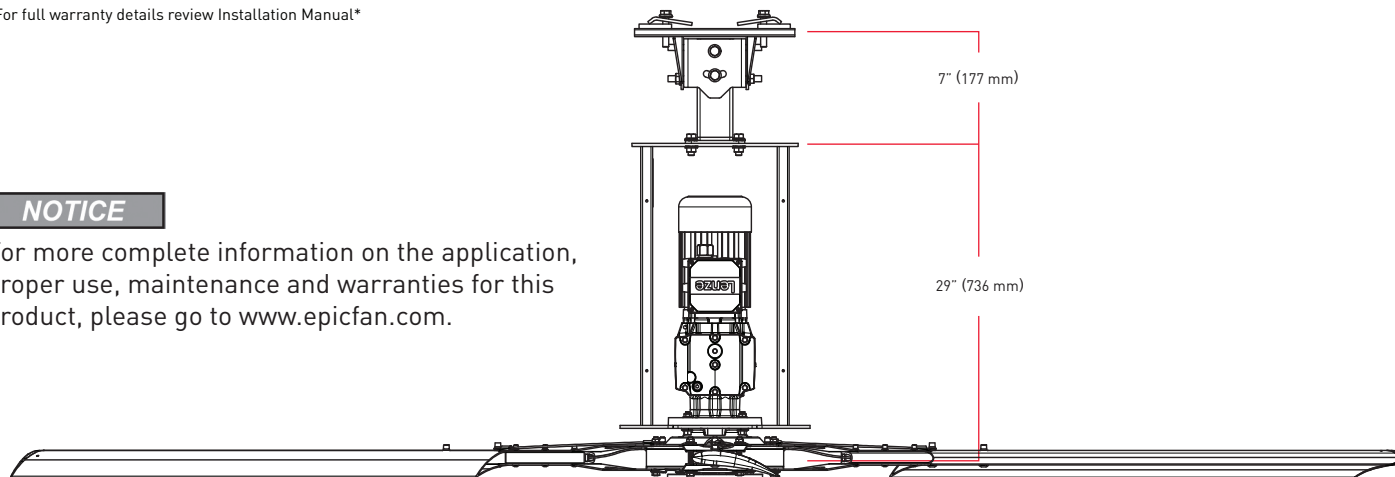
Fan Size	Hanging Weight	RPM
12 FT 1.0 HP	181 lbs. (86 kg)	125
16FT 1.0 HP	198 lbs. (94 kg)	92
20 FT 1.0 HP	214 lbs. (105 kg)	72



Control Panel

NOTICE

For more complete information on the application, proper use, maintenance and warranties for this product, please go to www.epicfan.com.



Enter Fan Diameter

