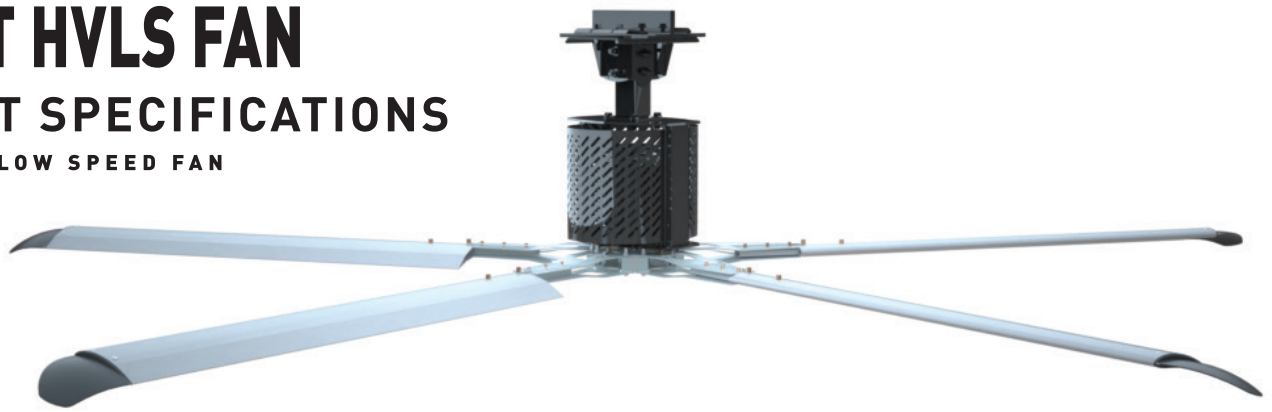




SUMMIT HVLS FAN

PRODUCT SPECIFICATIONS

HIGH VOLUME LOW SPEED FAN



Design Highlights

- DC Motor / Brushless / No Gearbox / IP 65 Rating
- Performance in high ambient conditions 0-122°F / -17.78-50°C
- Large “Air Current Depth” - horizontal floor jet of 3-9 ft (1-3 m)
- Standard clear corrosion-resistant anodized blades
- Fan safety system incorporates steel hub, aircraft-grade safety cable and guy wires
- Patent pending aluminum hub and blade support system
- Remote mounted high efficiency Variable Frequency Drive
- Acoustic sound level 45 dBA*
- Touch screen remote with forward/off/reverse features, self diagnostics and 4 digit pass code protection
- Aerodynamic blade winglets with patent-pending design
- Optimized 5-Blade profile for low speed rotary airfoils
- Patented facility fire system compatibility (can be daisy chained)
- ULC 507 approved (Entire Fan)

*Results of sound measurement in the field may vary due to variations in surface types, environment and conditions.

Motor Size

- 85 Nm 1 HP/ 8 FT (2.4 M) - 14 FT (4.9 M)
- 188 Nm 2 HP/ 16 FT (5.5 M) - 24 FT (7.3 M)

Fan Diameter

- 8 FT (2.4 M)
- 10 FT (3.0 M)
- 12 FT (3.7 M)
- 14 FT (4.3 M)
- 16 FT (4.9 M)
- 18 FT (5.5 M)
- 20 FT (6.1 M)
- 24 FT (7.3 M)

Available Options

- Mounting Extension _____ FT / M
- Extra Wide Beam Plate _____ FT / M
- Powder Coated Blades _____
- Custom Powder Coated Frame & Mount
- Fire Control Panel (Standard & Networked Fans)
- Multiple Fan Remote (2-6)
- BAS Integration
- iFan 4.3 (12 Fans Maximum)
- iFan 7.0 (24 Fans Maximum)

Project Information

Job Name _____
 Address _____
 General Contractor _____
 Distributor _____
 Model _____ Quantity _____ Voltage/Phase _____

Certified For Construction

By _____
 Company _____
 Address _____
 Date _____



SUMMIT HVLS FAN

PRODUCT SPECIFICATIONS

HIGH VOLUME LOW SPEED FAN

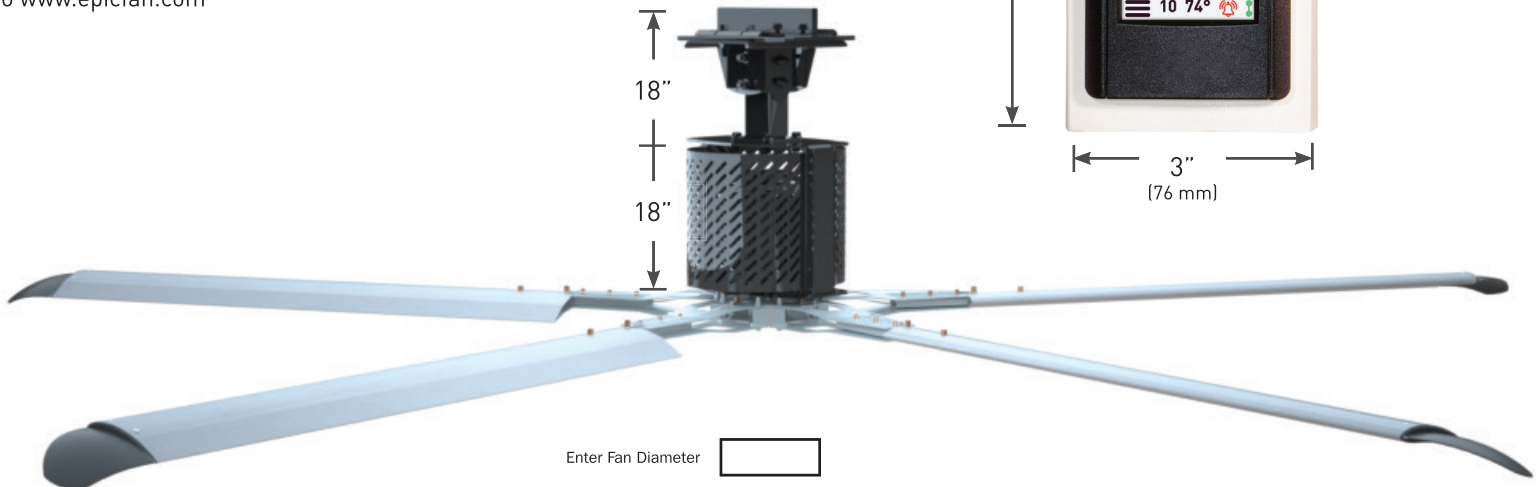
Construction	
Frame	Black Powder Coat / Welded Steel Fabrication
Hub Assembly	6061-T6 Aluminum
Blade Struts (Invertible)	Clear Zinc / High Tensile Steel
Blades	Anodized / 6063-T6 Aluminum
Blade End Winglets	Aluminum 3003-H14
Safety Components	
Steel Hub Plate	
Safety Cable	Galvanized 1/4" x 7 x 19 Steel Aircraft Grade Cable
Guy Wires	Galvanized 1/8" x 7 x 19 Steel Aircraft Grade Cable
Rotor Retaining Ring	Zinc Plated / 3/16 A569 Steel
Mounting Hardware	
Standard Mount	Universal I-Beam Clamp w/ Swivel Joint & Drop
Laminated Wood Beam Clamp (Optional)	Brackets
Extra Wide / Thick I-Beam Mount (Optional)	Consult Factory
Additional Drop Extensions (Optional)	Up to 10 FT in 1 FT Increments
Source Voltage	
Standard Power	120V 1Ø or 208-230V 1Ø or 460-480V 3Ø or 575V 3Ø
Motor	
Enclosure / Insulation Class / Efficiency Class	IP65
Motor	DC Brushless
Torque & Temperature Range	85 Nm / 188 Nm / 0 -122°F / -17.78 -50°C
VFD Assembly	
Enclosure	NEMA 1
Remote CAT 5E Cable	1 - 100 Feet / 30.48 Meters
Communication Protocol	Modbus RTU
Disconnect	Panel Mount, UL/CE
UL Certified	*50hz Operation (Optional)*
Fan Control Station	
Type	Touchscreen LCD
Connection	CAT 5E (provided)
Mounting	STD Wall J-Box
Warranty	
Lifetime Warranty on Blades, Hub & Frame	15-Year Mechanical
15-Year Non Pro Rated	7-Year Electrical
1-Year Labor	1-Year on all Controls

Fan Size	Hanging Weight	Normal Industrial Spacing	RPM
8 FT 85NM 1 HP	166 lbs. (75 kg)	55 feet	198
10 FT 85NM 1 HP	174 lbs. (79 kg)	60 feet	154
12 FT 85NM 1 HP	183 lbs. (83 kg)	65 feet	125
14 FT 85NM 1 HP	191 lbs. (86 kg)	70 feet	106
16 FT 188NM 2 HP	216 lbs. (97 kg)	90 feet	92
18 FT 188NM 2 HP	224 lbs. (101 kg)	95 feet	81
20 FT 188NM 2 HP	232 lbs. (105 kg)	100 feet	72
24 FT 188NM 2 HP	249 lbs. (112 kg)	110 feet	60



NOTICE

For more complete information on the application, proper use, maintenance and warranties for this product, please go to www.epicfan.com



Enter Fan Diameter

